

# ONCOERA<sup>®</sup> STOPPER

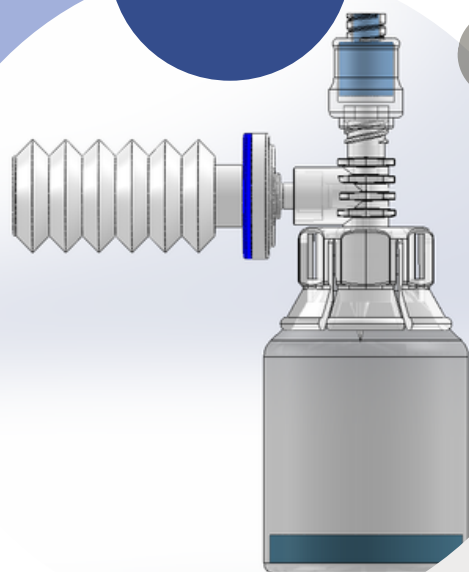
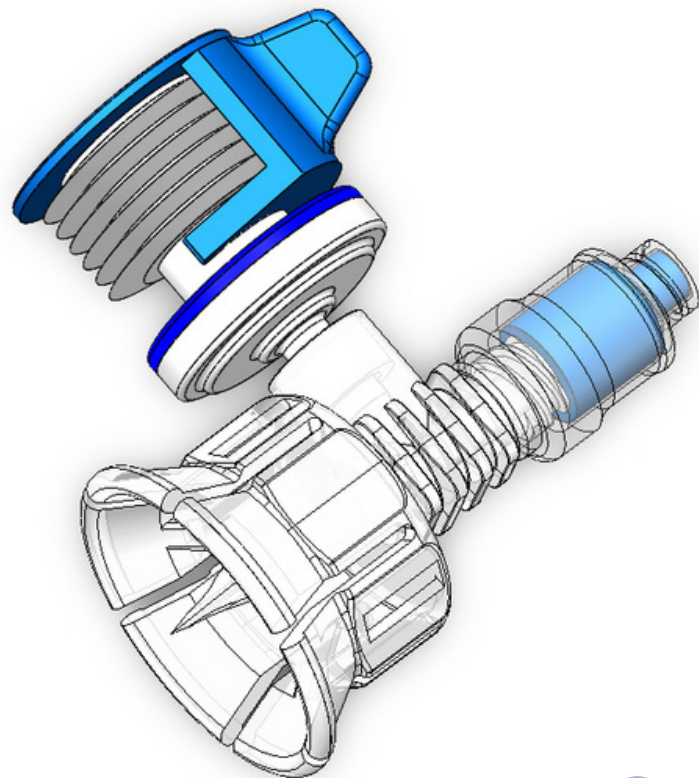
THE NEW GENERATION CLOSED SYSTEM

## SAFER SOLUTION

### ANTINEOPLASTIC DRUG COMPOUNDING

ONCOERA<sup>®</sup> STOPPER is a closed system solution that increases safety in the compounding of hazardous drugs.

It minimizes the risk of hazardous drug spills thanks to its leakproof structure with needle-free connectors. Besides, with the expansion capacity of the articulated reservoir, it prevents toxic vapour. In this way, it supports drug, employee and environmental safety.



## FEATURES

ONCOERA STOPPER	
Vial Compatibility	— Standard vial neck in 20/21 mm diameter
Pressure Equalization Capacity	— 50 mL
Priming Volume	— 0.11 mL (inside needle-free connector)
Filter Feature	— 0.22 µm hydrophobic (at reservoir entrance)
Needle - Free Connector Feature	— Microbiological barrier for up to 7 days — Leakproof up to 200 activations

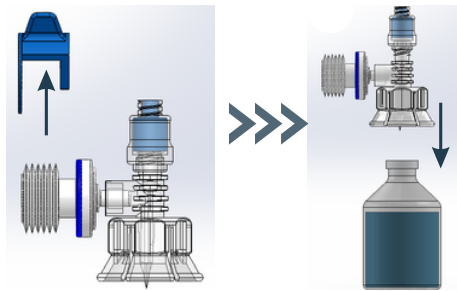
#### IMPORTANT INFORMATION:

- Follow principles of aseptic technique & hazardous drug handling during the use of the product.
- Do not touch the ports after removing the protective caps of the product.
- Disinfect the needle-free connector with appropriate solution before multiple use.

# ONCOERA<sup>®</sup> STOPPER

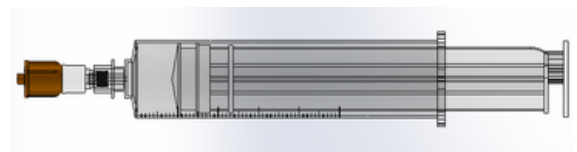
THE NEW GENERATION CLOSED SYSTEM

## INFORMATION FOR USE



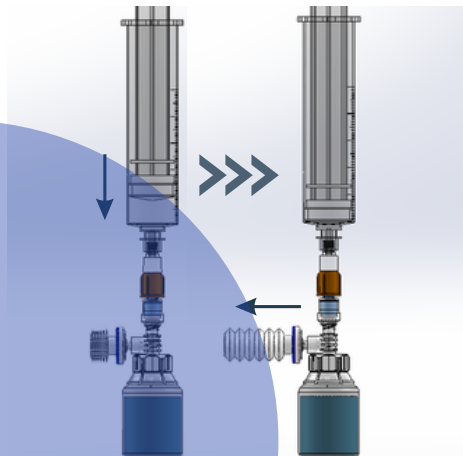
**1**

Open the clip of ONCOERA<sup>®</sup> STOPPER and remove it. Immerse spike of the ONCOERA<sup>®</sup> STOPPER onto the vial stopper in one stroke.



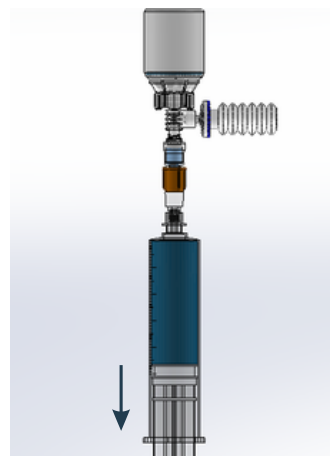
**2**

Attach the syringe adapter to the syringe. Aspirate air equal to required drug dose or diluent required to reconstitute the drug. (Air aspiration must be done before the syringe adapter is attached.)



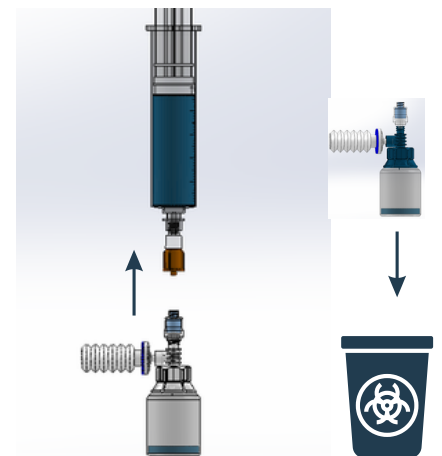
**3**

Attach the syringe adapter to the ONCOERA<sup>®</sup> STOPPER. Then send the air or reconstitution fluid into the vial. (Articulated reservoir expands.)



**4**

Turn the vial upside down at a 90-degree angle and withdraw the required amount of drug into the syringe.



**5**

Set the vial down and disconnect the syringe. Use the prepared syringe to transfer drug to the appropriate container. Dispose of the vial with ONCOERA<sup>®</sup> STOPPER as a whole without separating them.